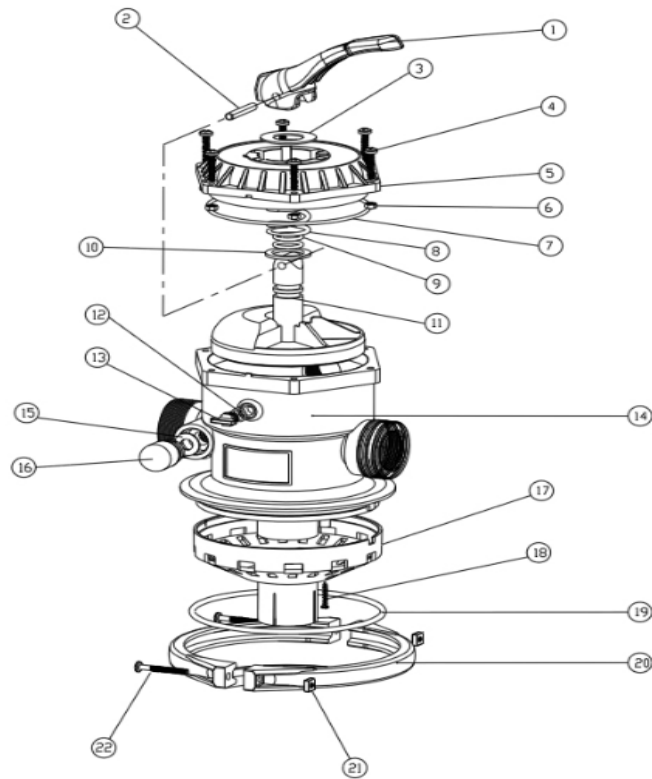
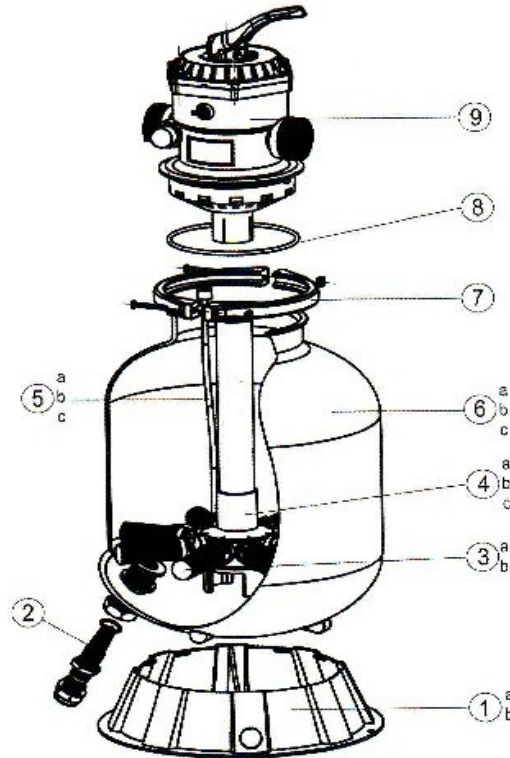


### Parts for 6-way valve



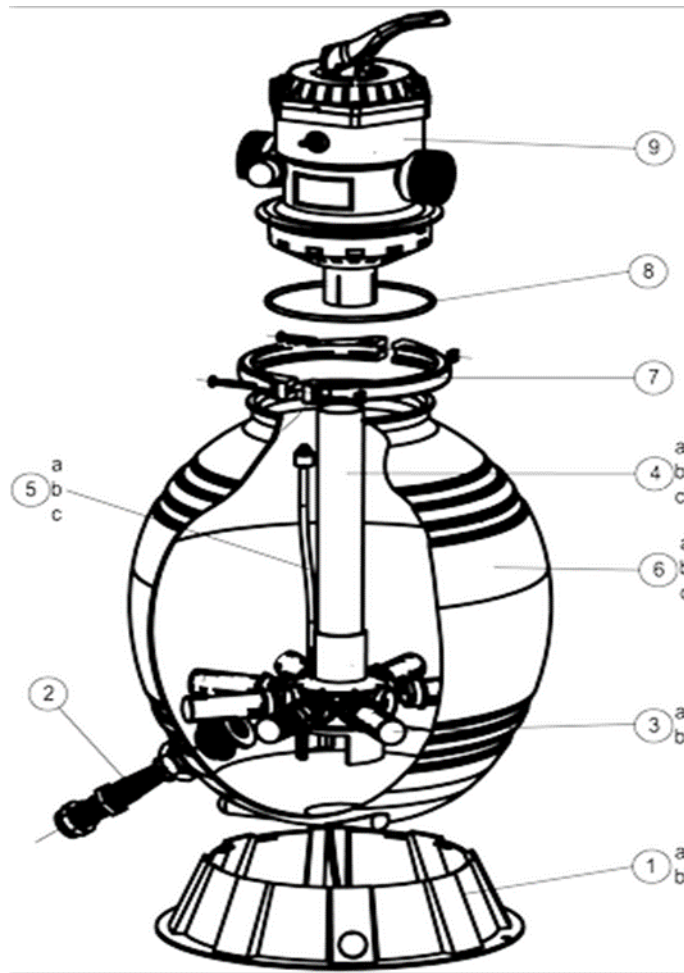
Ref. No.	Mfg Part Number	Description
1	47304006080	Handle
7	5431043080	O-ring
8	5245002000	Spring
9	5431016080	O-ring
10	48890607000	Washer
11	47304003080	Valve inside
12+13	88906001	Plug assembly
15+16	88906005	Transparent bottle assembly
	3105652010	Label for 6-way valve

Parts for sand filter models: EE3040/EE3050/EE3060



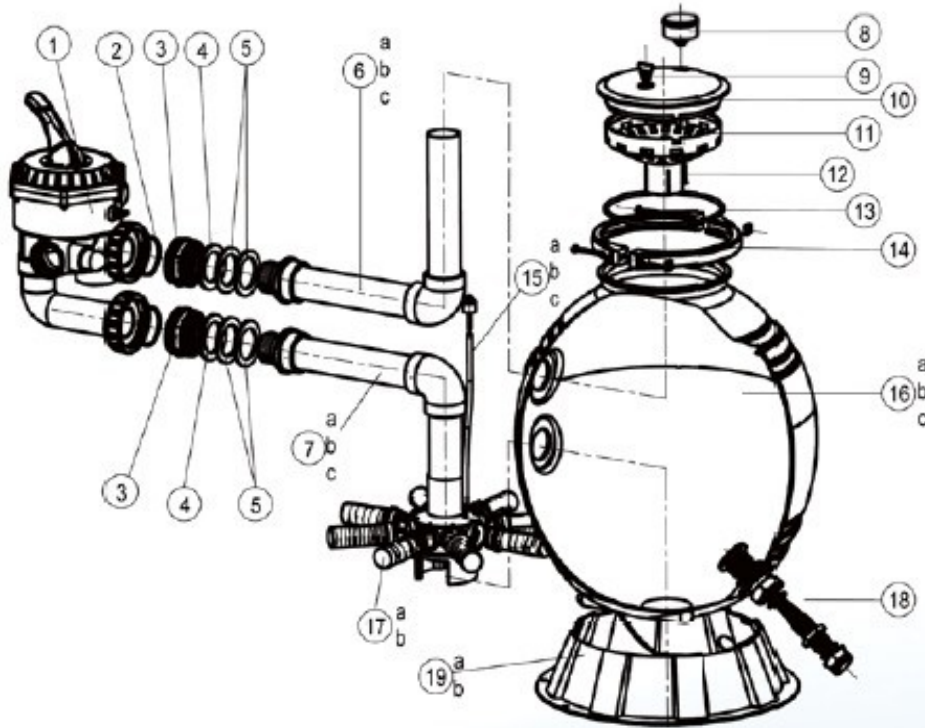
Ref. No.	Mfg Part No.	Description	Ref. No.	Mfg Part No.	Description
1a	647304009	Sand filter support for BC3040	5b	647305173	Air release assembly for BC3050
1b	647305009	Sand filter support for BC3050/BC3060	5c	647306173	Air release assembly for BC3060
2	647304073	Drain plug	6a	647304008	Filter tank for BC3040
3a	647304017	Lateral for BC3040/BC3050	6b	647305008	Filter tank for BC3050
3b	647306016	Lateral for BC3060	6c	647306008	Filter tank for BC3060
4a	647304079	Central pipe for BC3040	7	647304072	Flange clamp
4b	647305071	Central pipe for BC3050	8	65431012080	O-ring
4c	647306072	Central pipe for BC3060	9	647304071	6-way valve
5a	647304172	Air release assembly for BC3040			

Parts for EE3045/EE3055/EE3065



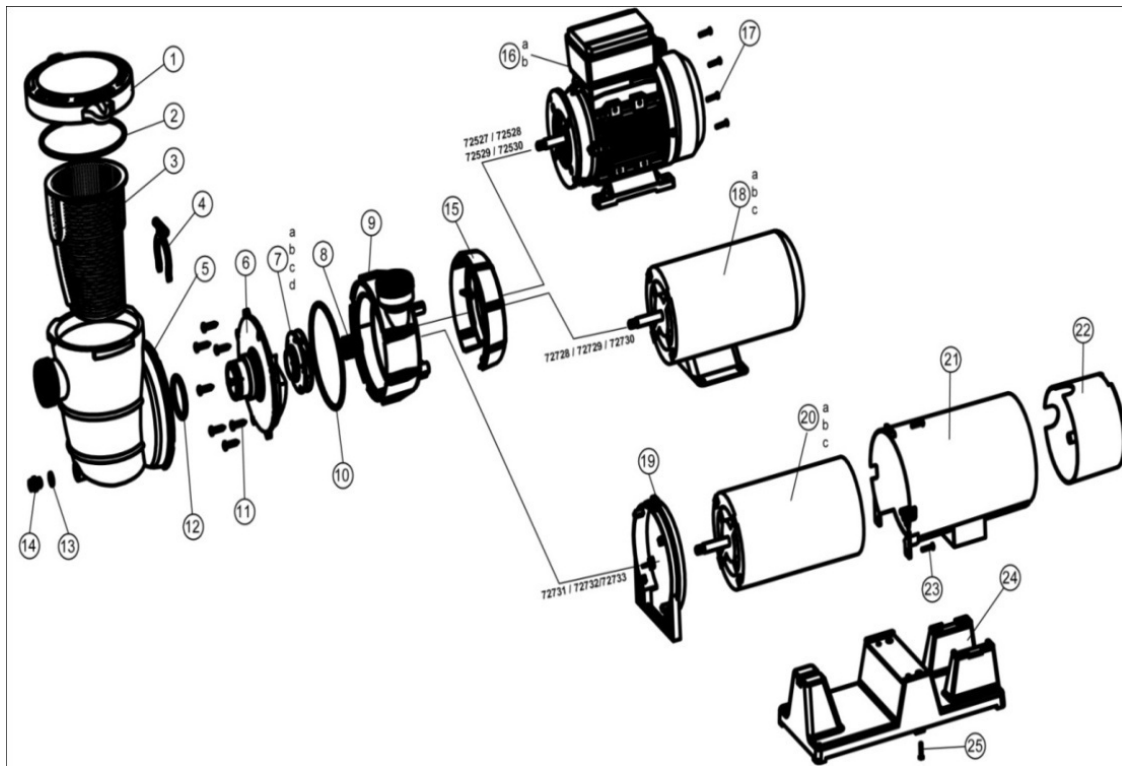
Ref. No.	Part No.	Description	Ref. No.	Part No.	Description
1a	647304009	Smaller sand filter support for BC3045	5b	647305173	Air release assembly for BC3055
1b	647305009	Sand filter support for BC3055/BC3065	5c	647306173	Air release assembly for BC3065
2	647304073	Drain plug	6a	647304501	Filter tank for BC3045
3a	647304017	Lateral for BC3045/BC3055	6b	647305501	Filter tank for BC3055
3b	647306016	Lateral for BC3065	6c	647306501	Filter tank for BC3065
4a	647304571	Central pipe for BC3045	7	647304072	Flange clamp
4b	647305571	Central pipe for BC3055	8	65431012080	O-ring
4c	647306571	Central pipe for BC3065	9	647304071	6-way valve
5a	647304172	Air release assembly for BC3045			

Parts for filter models: EE3046/EE3056/EE3066



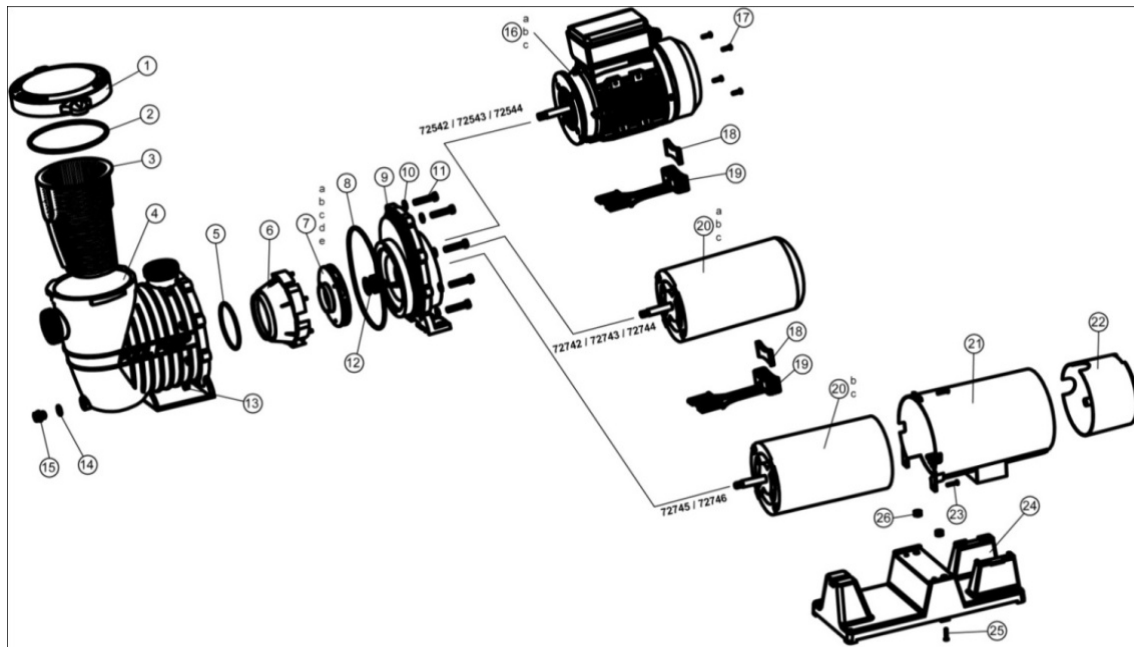
Ref. No.	Mfg Part No.	Description	Ref. No.	Mfg Part No.	Description
1	647304171	Lateral valve assembly	11	647304004	Top diffuser assembly
2	65431007080	O-ring	12	65212006000-1	Screw S4.2X25
3	647304104	Bulkhead fitting	13	65431012080	O-ring
4	647304109	O-ring spacer	14	647304072	Flange clamp
5	647304107	Gasket	15a	647304172	Air release assembly for BC3046
6a	647304671	Top elbow assembly for BC3046	15b	647305173	Air release assembly for BC3056
6b	647305671	Top elbow assembly for BC3056	15c	647306173	Air release assembly for BC3066
6c	647306671	Top elbow assembly for BC3066	16a	647304601	Filter tank for BC3046
7a	647304672	Bottom elbow assembly for BC3046	16b	647305601	Filter tank for BC3056
7b	647305672	Bottom elbow assembly for BC3056	16c	647306601	Filter tank for BC3066
7c	647306672	Bottom elbow assembly for BC3066	17a	647304017	Lateral for BC3046/BC3056
8	97202	Pressure gauge	17b	647306016	Lateral for BC3066
9	88601004	Drain plug with O-ring	18	647304073	Drain plug
10	647304116	Clear cover	19a	647304009080	Sand filter support for BC3046
			19b	647305009080	Sand filter support for BC3056/BC3066

Parts for pump models: EE2728/EE2729/EE2730/EE2731/EE2732/EE2733



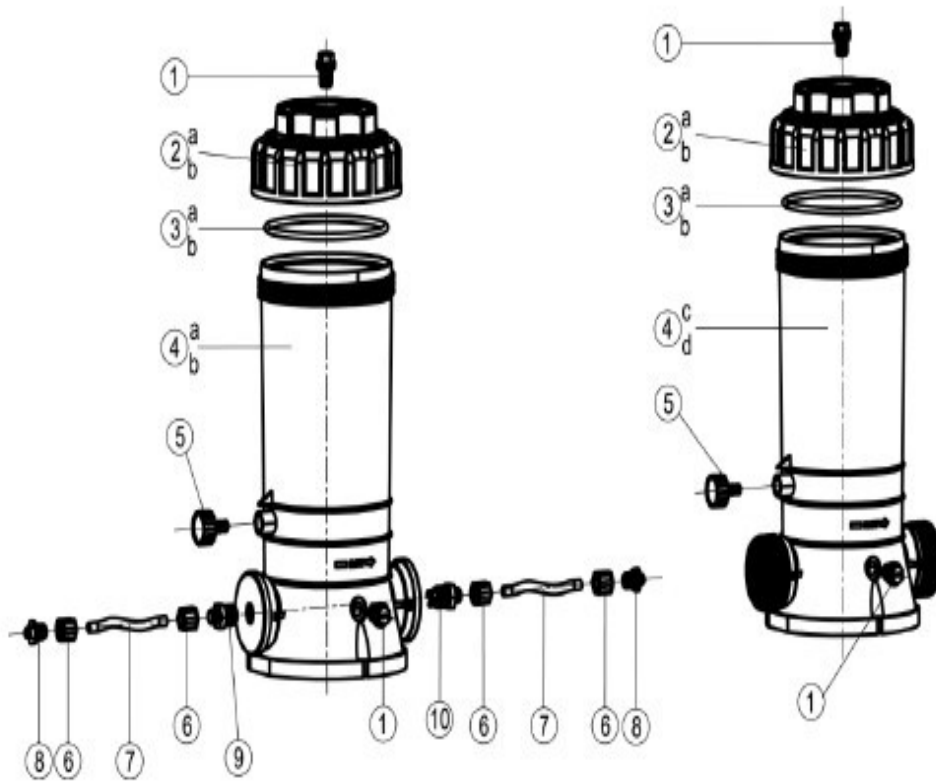
Ref. No.	Part No.	Description	Ref. No.	Part No.	Description
1	647252772	Cover	15	647252708	Motor mounting plate
2	65431042080	o-ring	16a	65023001000	0.5HP motor for BC2527
3	647252704	Basket	16b	65023002000-1	0.75HP motor for BC2528
4	647252705	Clip	16c	65023003000-1	1.0HP motor for BC2529
5	647252703	Strainer housing	16d	65023004000-1	1.5 HP motor for BC2530
6	647252702	Pump cover	17	65227002108	Screw P+8#-32*5/8 UNC
7a	647252771	Impeller for BC2527/BC2528/BC2730/BC2733	18a	65023005000	0.75HP motor for BC2728
7b	647252971	Impeller for BC2529/BC2530	18b	65023006000	1.0HP motor for BC2729
7c	647272871	Impeller for BC2728/BC2731	18c	65023007000	1.5 HP motor for BC2730
7d	647272971	Impeller for BC2729/BC2732	19	647273201	Motor mounting plate
8	65028003000	Seal assembly	20a	65023024000	0.75HP SPL motor for BC2731
9	647252701	Pump housing	20b	65023020000-1	1.0HP SPL motor for BC2732
10	65431040080	o-ring	20c	65023021000-1	1.5HP SPL motor for BC2733
11	65212016000	Screw ST5.5X25	21	647273202	Motor Housing
12	65431029080	O-ring	22	647273203	Motor End Cover
13	65432002080	gasket	23	65212006000-2	Screw ST4.2X12
14	88601007	Drain plug	24	647273204	Elevated Mounting Base

Parts for pump models: EE2742/EE2743/EE2744/EE2745/EE2746



Ref. No.	Part No.	Description	Ref. No.	Part No.	Description
1	647252772	Cover	14	65432002080	gasket
2	65431042080	o-ring	15	88601007	Drain plug
3	647252704	Basket	16a	65023002000-2	0.75HP motor for BC2542
4	647254201	Pump housing	16b	65023003000-2	1.0HP motor for BC2543
5	65431032080	o-ring	16c	65023004000-2	1.5HP motor for BC2544
6	647254203	Diffuser	17	65227002108	Screw P+8#-32*5/8 UNC
7a	647254271	Impeller for BC2542/BC2744	18	647254205	Supporting foot
7b	647254371	Impeller for BC2543	19	647254204	Mounting foot
7c	647254471	Impeller for BC2544	20a	65023019000	0.75HP motor for BC2742/BC2745
7d	647274271	Impeller for BC2742/BC2745	20b	65023020000-2	1.0HP motor for BC2743/BC2746
7e	647274371	Impeller for BC2743/BC2746	20c	65023021000-2	1.5HP motor for BC2744
8	65431075080	o-ring	21	647273202	Motor Housing
9	647254202	Pump cover	22	647273203	Motor End Cover
10	65244005000	gasket M8	23	65212006000-2	Screw ST4.2X12
11	65221009000	Screw M8X40	24	647273204	Elevated Mounting Base
12	65028003000	Seal assembly	25	65221011000	Screw M8X16
13	65231004000	Nut M8	26	65231004000	Nut M8

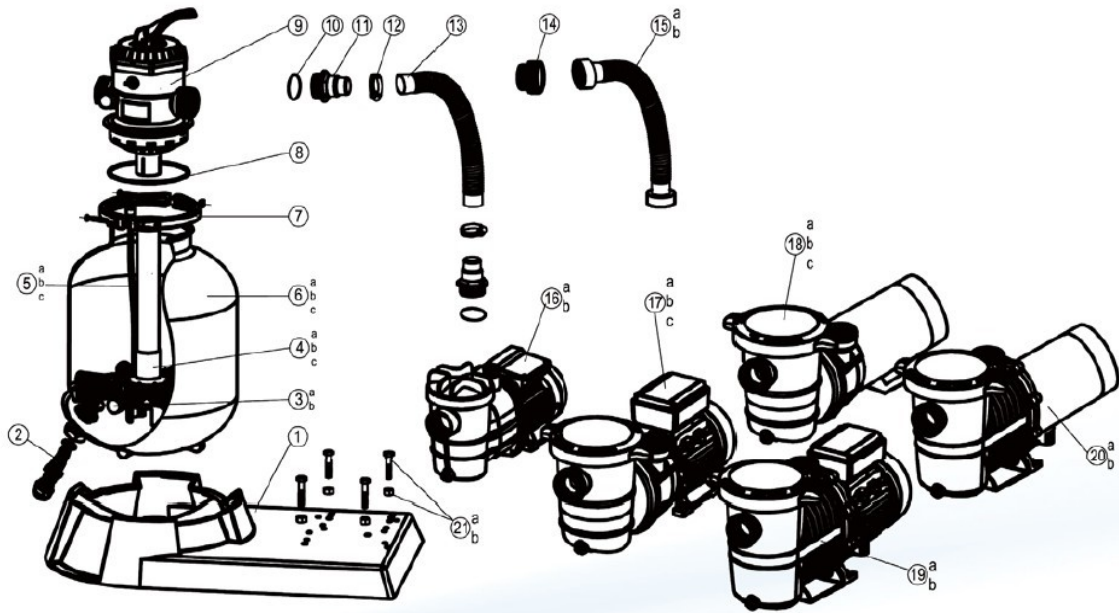
Parts for product models: EE0166/EE0167/EE0168/EE0169



Ref. No.	Part No.	Description	Ref. No.	Part No.	Description
1	88601004	Drain plug with gasket	4c	647016771	Choriator body (4lbs,off line) for BC0167
2a	647016703	Cover for BC0166/BC0167	4d	647016971	Choriator body (9lbs,off line) for BC0169
2b	647016872	Cover for BC0168/BC0169	5	647016875	Control valve assemble
3a	65431033080	O-ring for BC0166/BC0167	6	647016806	Compression nuts
3b	65431036080	O-ring for BC0168/BC0169	7	65749011080	Plastic tubing
4a	647016671	Choriator body (4lbs,off line) for BC0166	8	647016805	Saddle fitting
4b	647016871	Choriator body (9lbs,off line) for BC0168	9	647016807	Inlet fitting adaptor
			10	647016873	Check valve assembly

**Parts for sand filtration system models:**

**EE2027/EE2028/EE2029/EE2228/EE2229/EE2230/EE2041/EE2241/EE2042/EE2043/EE2242/EE2243**

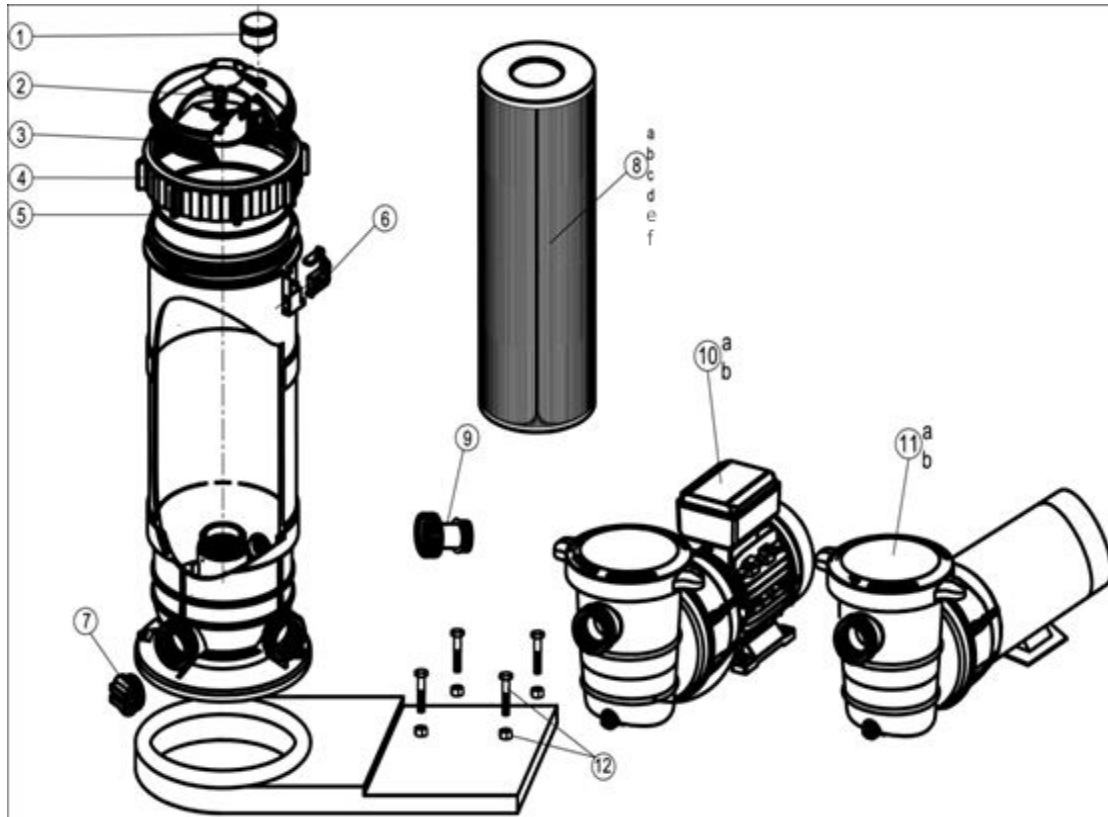


Ref. No.	Part No.	Description	Ref. No.	Part No.	Description
1	647202701	sand filter support for BC3040/BC3050/BC3060	14	647202702	Adaptor For BC2027/BC2028/BC2029/BC2228/BC2229/BC2230/BC2042/BC2043/BC2242/BC2243
2	647304073	Drain plug	15a	647202772	PVC hose for BC2027/BC2228
3a	647304017	Lateral for BC3040/BC3050		647202871	PVC hose for BC2028/BC2229
3b	647306016	Lateral for BC3060		647202971	PVC hose for BC2029/BC2230
4a	647304079	center pipe for BC3040	15b	647204271	PVC hose for BC2042/BC2242
4b	647305071	center pipe for BC3050		647204371	PVC hose for BC2043/BC2243
4c	647306072	center pipe for BC3060	16a	BC2515	0.35HP Pump for BC2041
5a	647304172	Air release assembly for BC3040	16b	BC2715	0.35HP Pump for BC2241
5b	647305173	Air release assembly for BC3050	17a	BC2527	0.5HP Pump for BC2027
5c	647306173	Air release assembly for BC3060	17b	BC2528	0.75HP Pump for BC2028
6a	647304008	Filter tank for BC3040	17c	BC2529	1HP Pump for BC2029
6b	647305008	Filter tank for BC3050	18a	BC2728	0.75HP Pump for BC2228
6c	647306008	Filter tank for BC3060	18b	BC2729	1HP Pump for BC2229
7	647304072	Flange clamp	18c	BC2730	1.5HP Pump for BC2230
8	65431012080	O-ring	19a	BC2542	0.75HP Pump for BC2042
9	647304071	6-way valve	19b	BC2543	1HP Pump for BC2043



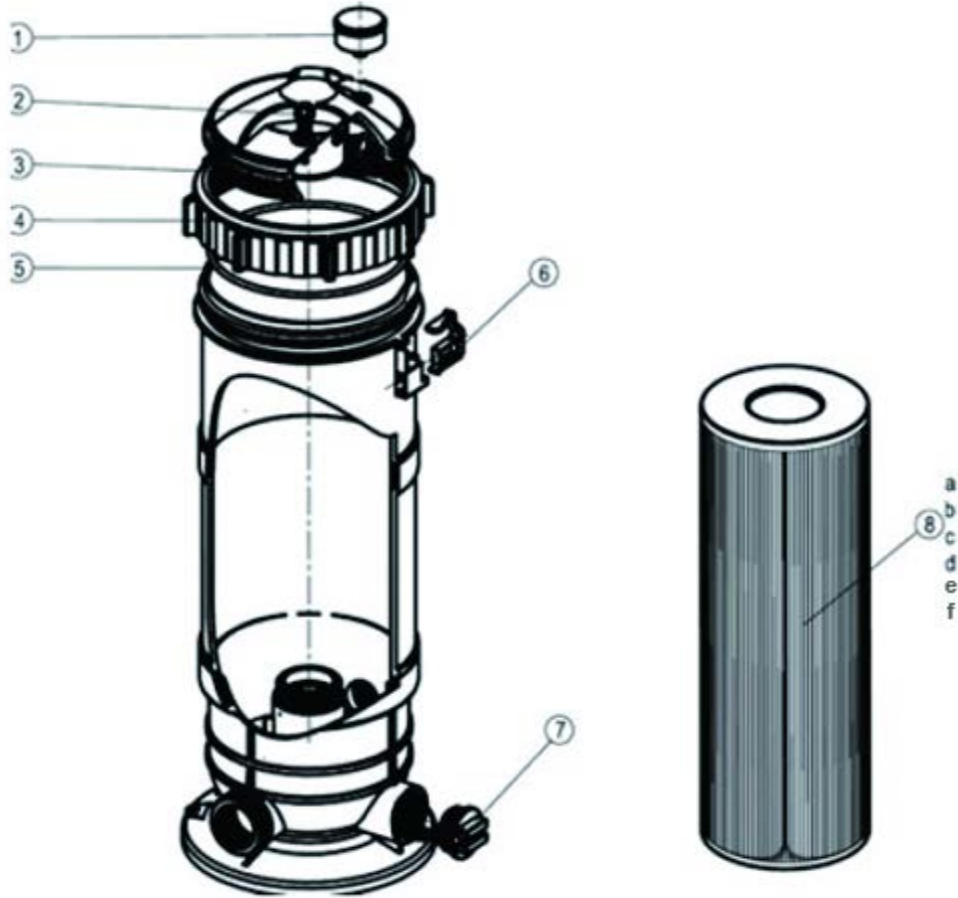
10	654310210 80	O-ring	20a	BC2742	0.75HP Pump for BC2242
11	647303014	Hose Adaptor	20b	BC2743	1HP Pump for BC2243
12	650210050 00	Hose Clamp	21a	64720127 3	Screw M6X25 and Nut M6 for BC2041/BC2241
13	657490020 11	1 1/2" (38mm) hose for BC2041/BC2241	21b	64720277 5	Screw M8X35 and Nut M8 for BC2027/BC2028/BC2029/BC2228/BC2229/BC2230 Screw M8X35 and Nut M8 for BC2042/BC2043/BC2242/BC2243

Parts for product models: EE3110/EE3111/EE3112/EE3113/EE2310/EE2311/EE2312/EE2313



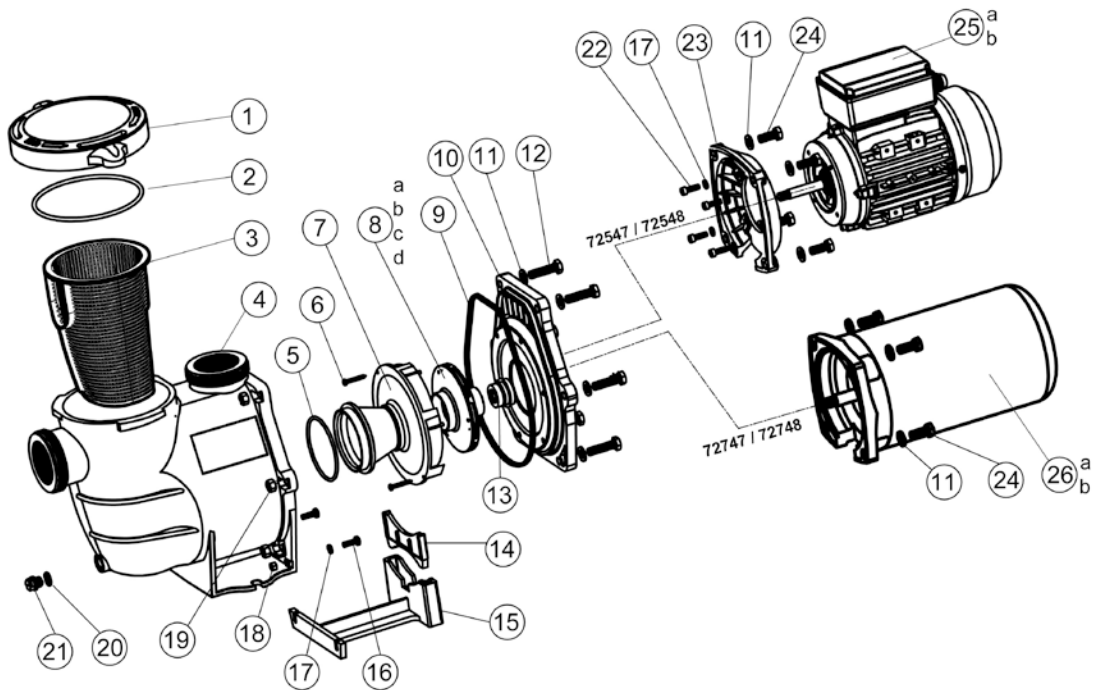
Ref. No.	Part No.	Description	Ref. No.	Part No.	Description
1	BD7202	Pressure gauge	8c	65022003000	Cartridge element for BC3112
2	BE8601004	Drain plug with gasket	8d	65022004000	Cartridge element for BC3113
3	647311004	Seal cover	8e	5022039031	Cartridge element for BC3114
4	647311001	Locking ring	8f	5022040031	Cartridge element for BC3115
5	65431045080	O-RING	9	647211073	Adapter assembly
6	647311009	Locking ring latch	10a	BC2527	0.5HP Pump for BC2110/BC2111/BC2112
7	BD1215	Plug w/o-ring 1 1/2"	10b	BC2528	0.75HP Pump for BC2113
8a	65022001000	Cartridge element for BC3110	11a	BC2728	0.75HP Pump for BC2310/BC2311/BC2312
8b	65022002000	Cartridge element for BC3111	11b	BC2729	1HP Pump for BC2313
			12	647202775	Screw & nuts assembly ( M8x35+M8 )

Parts for product models: EE3110/EE3111/EE3112/EE3113/EE3114/EE3115



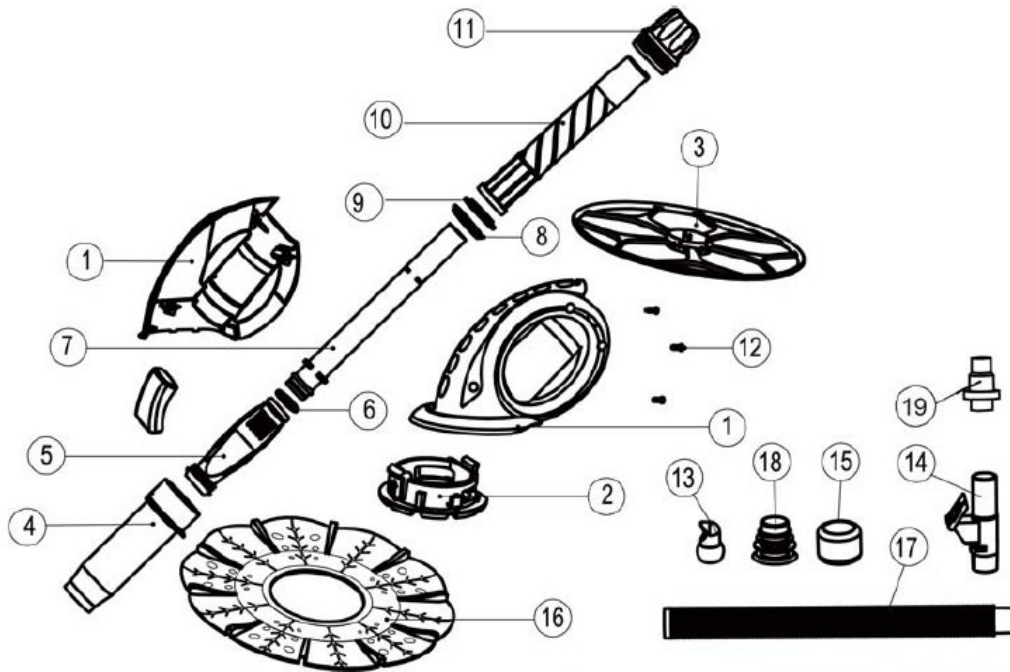
Ref. No.	Part No.	Description	Ref. No.	Part No.	Description
1	BD7202	Pressure gauge	7	BD1215	Plug w/o-ring 1 1/2"
2	BE8601004	Drain plug with gasket	8a	65022001000	Cartridge element for BC3110
3	647311004	Seal cover	8b	65022002000	Cartridge element for BC3111
4	647311001	Locking ring	8c	65022003000	Cartridge element for BC3112
5	65431045080	O-RING	8d	65022004000	Cartridge element for BC3113
6	647311009	Locking ring latch	8e	5022039031	Cartridge element for BC3114
			8f	5022040031	Cartridge element for BC3115

Parts for pump models: EE2747/EE2748/EE2547/EE2548



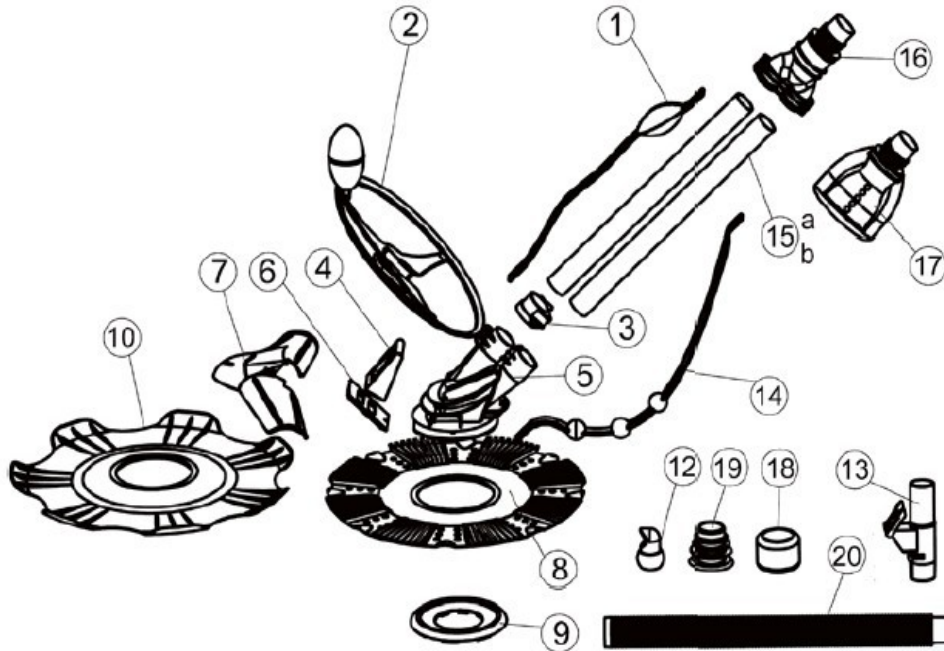
Ref. No.	Part No.	Description	Ref. No.	Part No.	Description
1	647252772	Cover	14	647254705	Supporting foot
2	65431042080	o-ring $\Phi 145*\Phi 5$	15	647254704	Mounting foot
3	647252704	Basket	16	65224003000	Screw M6X20
4	647254701	Pump housing	17	65244016000	Gasket M6
5	65431032080	o-ring $\Phi 85.32*\Phi 3.53$	18	65231002000	Nut M6
6	65212025000	Screw ST4.2X38	19	65232001000	Nut 3/8-16
7	647254703	Diffuser	20	65432002080	Gasket
8a	647254771	Impeller for BC2547	21	88601007	Drain plug
8b	647254871	Impeller for BC2548	22	65224003000	Screw M6*20
8c	647274771	Impeller for BC2747	23	647254706	Motor flange
8d	647274871	Impeller for BC2748	24	65221008000	Screw M10X25
9	65431074080	o-ring	25a	65023015000	1.0HP motor for BC2547
10	647254702	Pump cover	25b	65023016000	1.5HP motor for B2548
11	65244015000	Gasket M10	26a	65023022000	1.0HP motor for BC2747
12	65225003000	Screw 3/8-16*1 1/2 UNC	26b	65023023000	1.5HP motor for BC2748
13	65028014000	Seal assembly			

Parts for automatic cleaner models: EE3271/EE3272



Ref. No.	Part No.	Description	Ref. No.	Part No.	Description
1	47327171	Frame assembly	11	48930308	Hand nut
2	47327105	footpad	12	5212006000	Screw ST4.2*12
3	47327104	Wheel deflector	13	47325021	Eyeball diverter and outer ring
4	47327106	Diaphragm chambei	14	647325075	Automatic regulator valve
5	48930306	Aboveground cassette diaphragm	15	647325025	Hose weights
6	48930313	Diaphragm retaining Ring	16a	647327103	Pleated seal for BC3272
7	48930304	Threded inner fxtension	16b	647325037-1	Pleated seal for BC3271
8	48930312	Anchor ring	17a	647325077	Hose for cleaner 1m for BC3271
9	48930311	Gasket	17b	647327271	Hose for cleaner 0.8m for BC3272
10	48930303	Cassrte piupe	18	47325001	Hose cone
			19	5758025933	Swivel adaptor

Parts for automatic cleaner models: EE3240/EE3250



Ref. No.	Part No.	Description	Ref. No.	Part No.	Description
1	647325072	Above balance assembly(only for 73250)	11	647325036	Pleated seal for BC3260
2	647325073	Roller bumper strap	12	647325021	Eyeball diverter and outer ring
3	647325024	Strap fixed support	13	647325075	Automatic regulator valve
4	647325012	Flapper	14	647325014	Dive float restrictor
5	647325071	Flapper plate	15a	65748020001	Cleaner pipe for BC3240/BC3260
6	647325013	Bottom cover	15b	65748020052	cleaner pipe for BC3250
7	647325076	Plane shape assembly for BC3240/BC3260	16	647325074	Tee assembly for BC3250
8	647325019	Pleated seal for BC3250	17	647325078	Tee assembly for BC3240/BC3260
9	647325020	Bottom plate	18	647325025	Hose weights
10	647325037-2	Pleated seal for BC3240	19	647325001	Hose cone
			20	647325077	Hoses for cleaner 1m