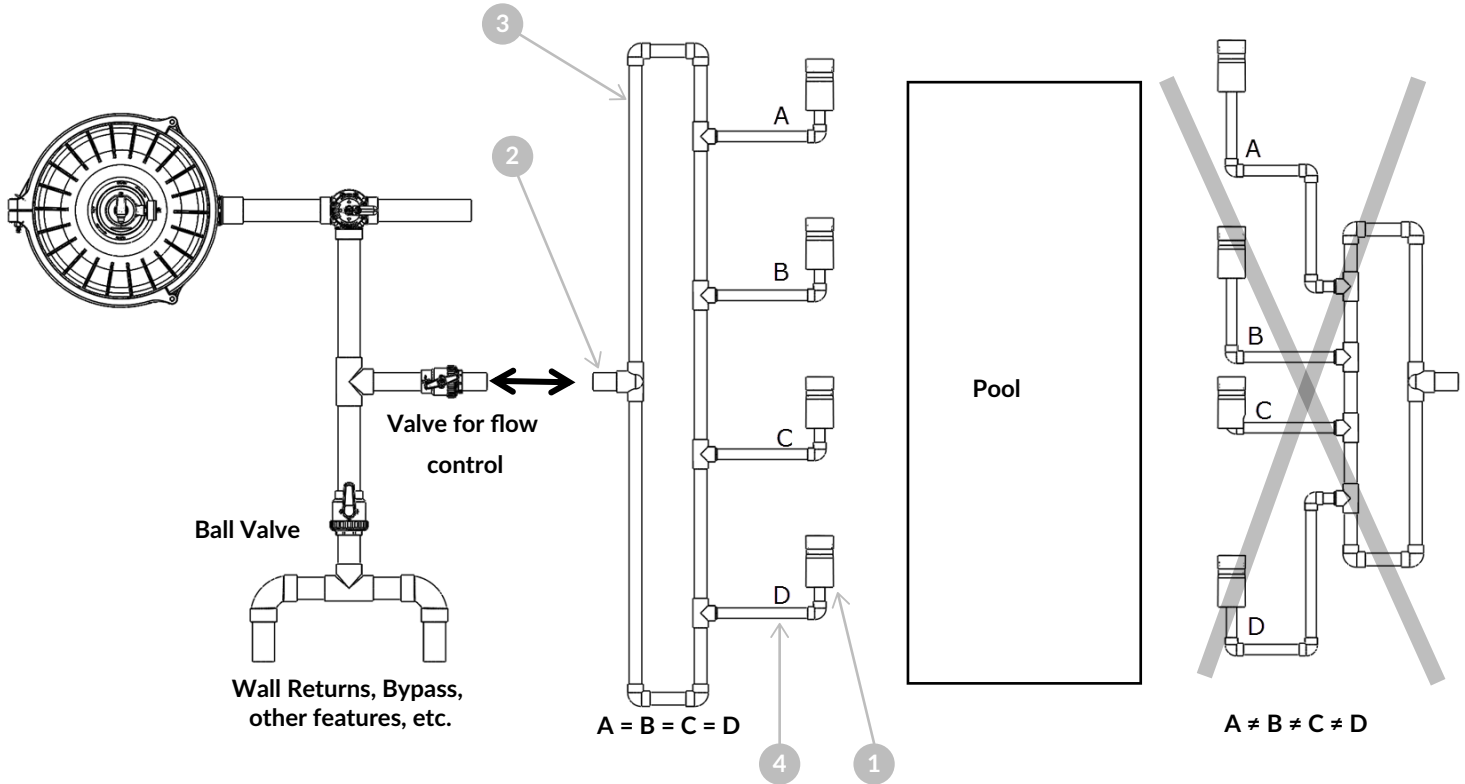


Deck Jet Model WFJ500 PAK 4

Plumbing Layout

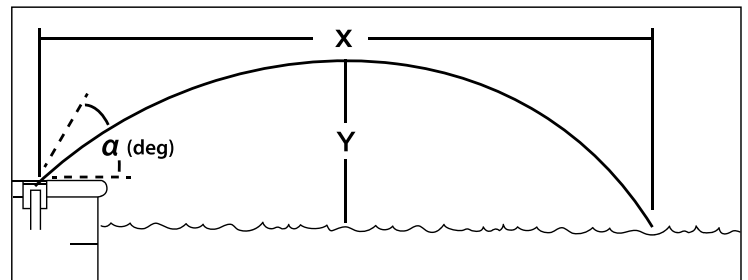


! This product should be installed and serviced by a qualified pool professional. Improper installation or operation will void the warranty.

! For best results with multiple deck jets, plumb using an equal flow loop or variation thereof. Maintain symmetry and consistency between deck jet feedlines in multiple jet systems. Build feed lines of equal length using the same number of joints and fittings.

! The Hayward Deck Jet 500 is designed for a maximum flow rate of 5gpm at 10.7ft of head.

! Nozzle adjustment will not shut off flow to Deck Jet. See table for range of adjustment.



Recommended Plumbing Size*			
1	Number of Deck Jets in System	1 - 5	6 - 10
2	Main Feed Pipe Size (inches)	1 - 1/2	2
3	Flow Loop Pipe (inches)	1	1 - 1/2
4	Individual Deck Jet Feeds (inches)	3/4	3/4

α (deg)	Flow Rate (GPM)		X (ft)		Y (ft)		Head Loss (ft of head)	
	Max Open	Min Open	Max Open	Min Open	Max Open	Min Open	Max Open	Min Open
60	3	2.3	4.0	2.6	3.7	3.0	4.3	4.5
	4	3.1	6.4	4.0	5.2	3.9	6.3	6.8
	5	3.9	9.6	5.6	6.9	4.9	8.4	8.9
80	3	2.9	1.8	1.3	4.2	3.9	4.3	4.3
	4	3.9	2.4	2.3	5.8	5.3	6.3	6.4
	5	4.8	3.0	2.9	8.2	7.3	8.4	8.5

*See plumbing layout for example flow loop

