



# About your Installation

## Homeowner Information

The homeowner is in charge of hiring the General Contractor or Luxury Contractor, as well as hiring any necessary subcontractors.

### Common subcontractors used are:

Pool builder, Masons, Electrical, and Landscaping

## CoverSafe Inc.

CoverSafe is the project manager for the automatic pool cover installation.

- Provides technical info and instructions to Sub-Contractors.

Phone: (866) 746-8444

Website: [CoverSafe.com](http://CoverSafe.com)

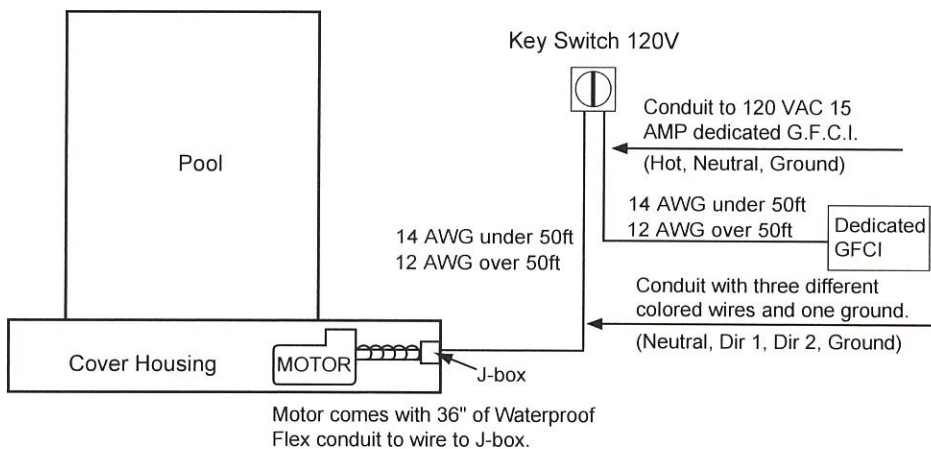
## Order of Operations

After the location has been plotted and approved by the homeowner:

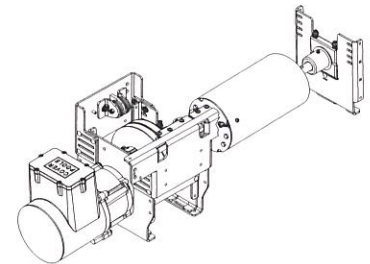
- **Quoting**
  - Quote will be provided to the homeowner/contractor
  - Quote must be approved with signature and fabric color selection
  - Deposit is made by credit card
  - Once the deposit is made, the system will be ordered
- **Electrical must be plotted. (see below)**

### Electric Motor w/ Keyswitch (Standard Equipment)

¾ hp Motor with Slip Clutch



All switches must be mounted in full view of the cover operation.



electric 3/4 hp motor

**WARNING!** These are minimum recommendations only. All local and federal codes of standard safe practices must be followed.

# Order of Operations



- Once we receive a shipping confirmation from the manufacturer, CoverSafe will contact homeowner/contractor to set an install date
- **Mechanism Install**
  - Mechanism install is scheduled, takes one work day / roughly 4-5 hours.
  - Electric can be scheduled anytime after install
  - CoverSafe adjusts and tests the system before electrical is hooked up.



- Electric can be permanently hooked up at this point. This can be scheduled before or after the bench installation.
- Cover is fully operational and ready for use.
- Bench installation approximately 5-7 days after mechanism install, and project is completed.



Before and After Bench Installation



# Pre-Install Information

Information needed from your customer to properly quote an automatic cover system

## DECK FINISH

Find out the deck / patio finish around the pool. This info is required for automatic pool cover installations because many finishes require different parts and setup.

**Poured Concrete:** For a poured concrete deck, suggest a flush lead system. This is the only system that is installed completely in the phase 1 concrete is simply poured to the top of the finished edge of the box.

**Sand Based Paver:** For a sand based paver deck, you would most likely suggest an 18 inch bezel lid. This lid system has a flange, and allows for the seam between the cover box system and pavers to be hidden.

**Stone Coping:** For a stone coping job, you would suggest stainless steel stone brackets. Typical stone size for a vinyl liner: 24 to 36 inches length, 18 inches width. Very large pavers can also be used as cover stones.

## DETERMINING MOTOR SIDE

Generally, the motor is put on the side in the closest proximity to the pool equipment. If there is a lack of space on one side, the motor can be placed at the opposite side. For example: if there is a raised wall on one side of the pool.

**Standard T4 Unit:** Motor side offset is 24 inches from interior track line. Non-motor offset is 12 inches from interior track line.

## FABRIC CHOICE

Fabric color must be selected before the cover can be ordered.

# Pre-Install Information



Information needed from your customer to properly quote an automatic cover system

## VINYL LINER POOLS

A frame supports must be lowered one bolt on the wall receiving the UPB Box. Backfill must be completed according to the diagram below.

Track should be installed before vinyl liner. Vinyl liner retainer is not needed with automated cover track. The vinyl liner retainer is built into the track system. 6" radius corners are included with your vinyl liner pre-pour kit.

**For freeform pools or pools over 50', please consult a CoverSafe product rep.**

Please provide Coversafe photos of:

- Finished site prep before phase 1 installation or training
- Post-pour before mechanical installation of the cover system

## Pre-Site Land Preparation

**Important:** Cover track must be installed BEFORE pool liner with all Vinyl Liner installs.

Notes:

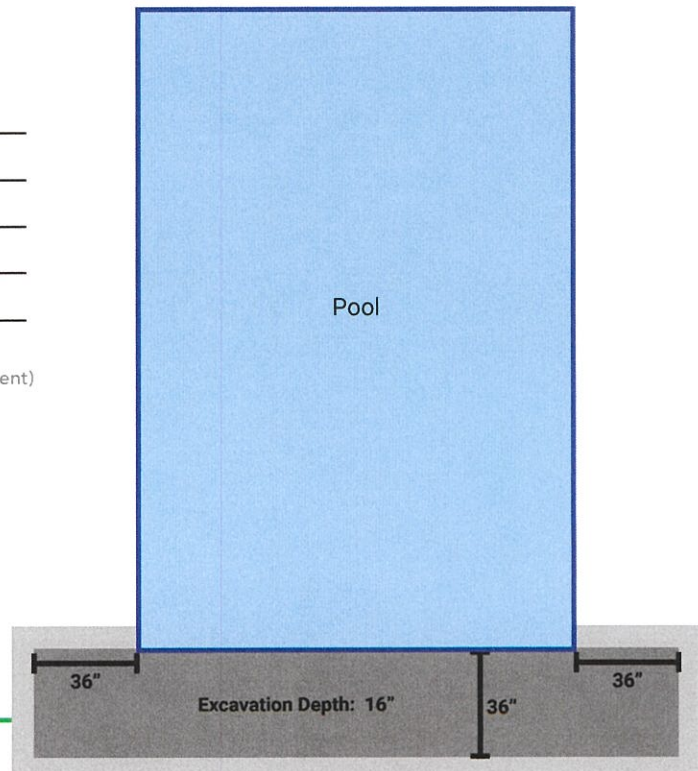
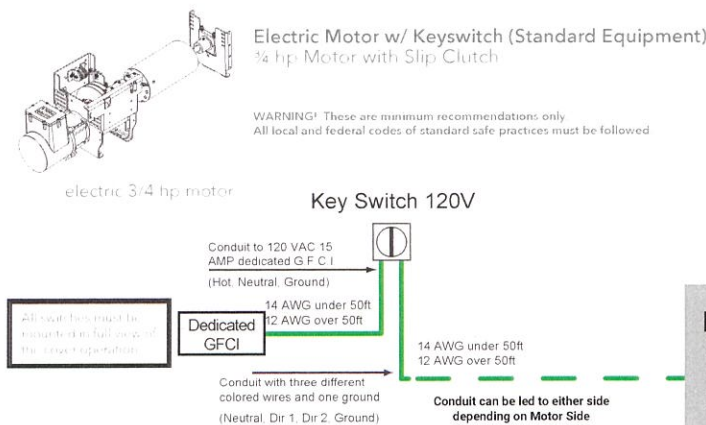
---

---

---

---

---



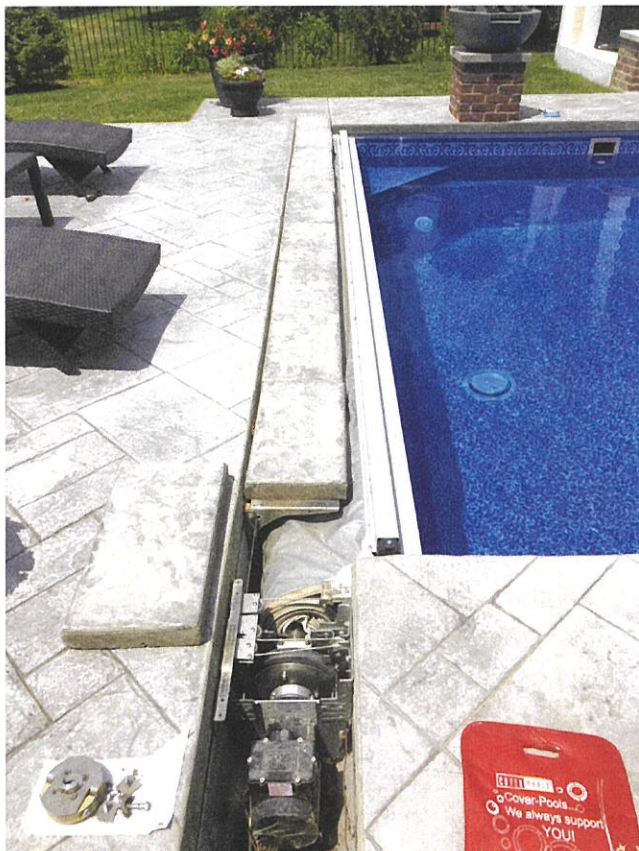
# V-Pack Examples



V Pack, Flush Lid, Phase 1



Stone / Bezel Lid, Phase 1



Stone Lid Vinyl Liner



Bezel Lid



# COVER POOLS® Lids and Brackets

## Flush Mount Lid

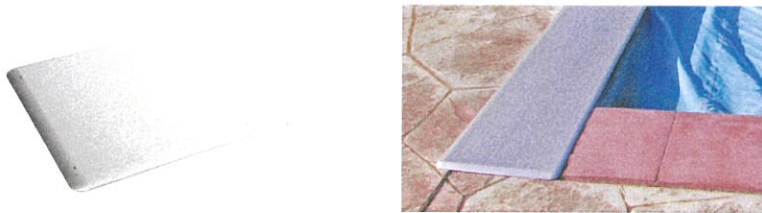
Our Flush mount lid is a walk-on lid that completely covers a recessed pool cover mechanism while remaining even with the surface of the deck. The frame for the flush mount lid provides quick and easy installation and removal of the lid brackets.

The Flush mount lid integrates seamlessly for vinyl liner pools and is available for wood or concrete boxes with Underside™ track.



## Flat Bezel Lid

The Flat Bezel lid provides step-on strength with a more streamlined appearance and beveled edges. The Flat Bezel lid is designed for Underside track systems.



## Stone Lid

The Vanishing Lid provides the most integrated look for concealing the mechanism. Your coordinating deck material hides the mechanism housing and seamlessly blends in with the rest of the deck. Cover-Pools Vanishing Lid brackets are strong, adjustable stainless steel brackets.



## IMPORTANT - USING YOUR COVER PUMP

The cover pump must be placed on top of the pool cover at all times when it is closed.

**DO NOT OPERATE the pool cover with water on the cover surface.** Place the manufacturer-supplied pump on the autocover surface with the hose directing water away from the pool. The cover pump needs to be plugged into an outlet to operate.



If an excessive amount of water accumulates on top of the covers surface, the weight could potentially cause damage or tear the cover from the guide system. Damages caused by failure to use the cover pump are not covered under the pool covers warranty.

## How to open your pool cover

- Pump any water on the cover surface before opening, then remove the cover pump.
- Remove any pool toys or branches / debris that may be on the covers surface.
- **For Toggle Switch Control:** Turn and hold the nob in the Uncover position until the pool cover has retracted fully into the cover box.

## Annual Maintenance / Troubleshooting

Annual maintenance is recommended to keep your automatic pool cover running smoothly for years to come. CoverSafe, Inc. offers a variety of automatic pool cover services online.

- **Website:** CoverSafe.com
- **Customer Service:** 866-746-8444

# Pre-Site Land Preparation

**Important:** Cover track must be installed BEFORE pool liner with all Vinyl Liner installs.

Notes:

---



---



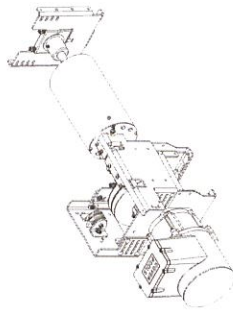
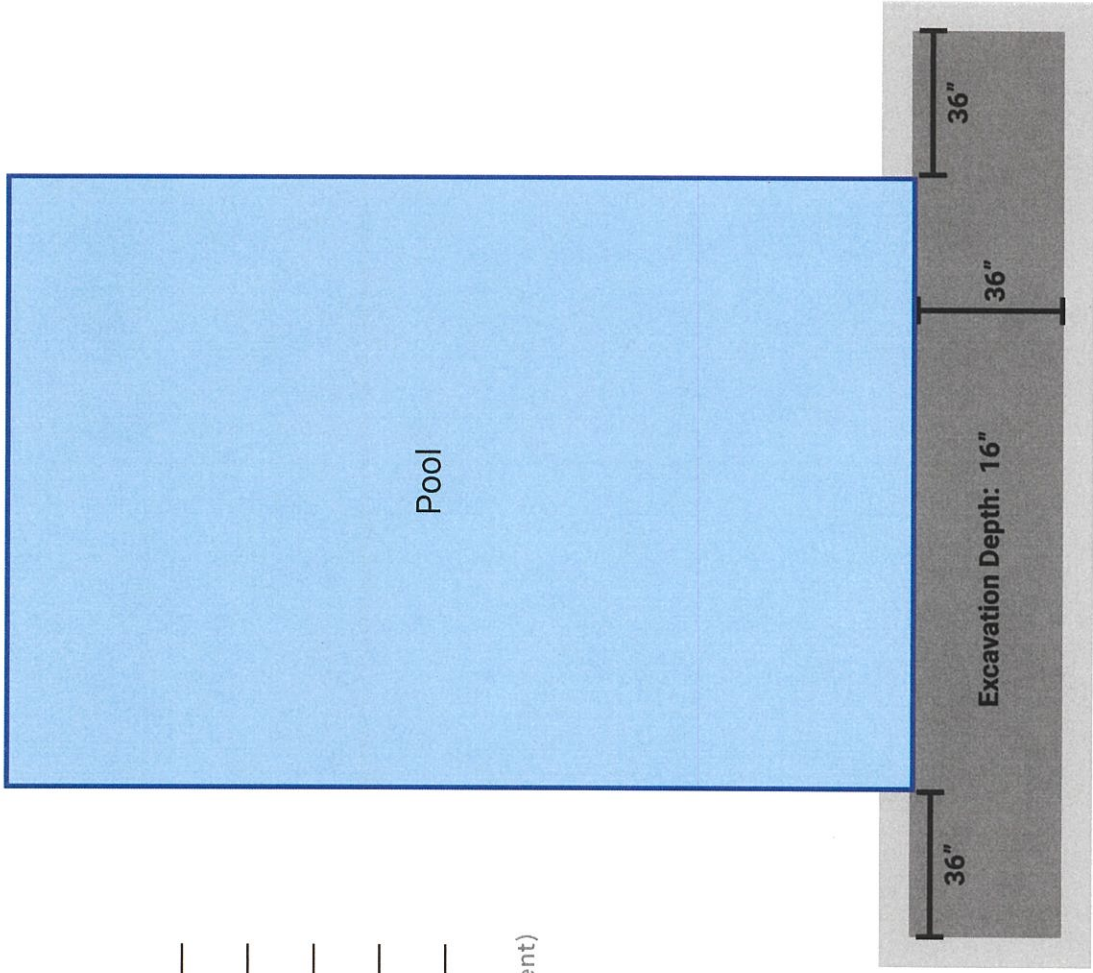
---



---



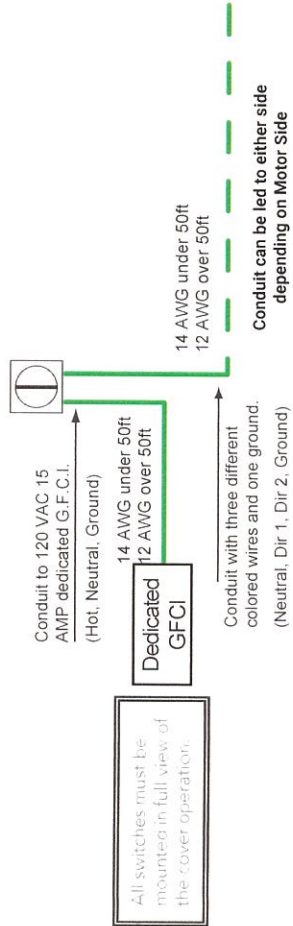
---



Electric Motor w/ Keyswitch (Standard Equipment)  
 ¾ hp Motor with Slip Clutch

**WARNING!** These are minimum recommendations only. All local and federal codes of standard safe practices must be followed.

electric ¾ hp motor      Key Switch 120V



All switches must be mounted in full view of the cover operation.



# Vinyl Liner System Layout

## Motor Side: Left

Notes:

---



---



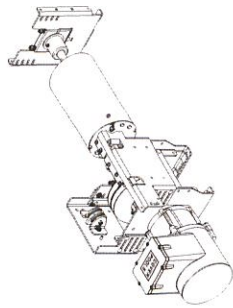
---



---



---

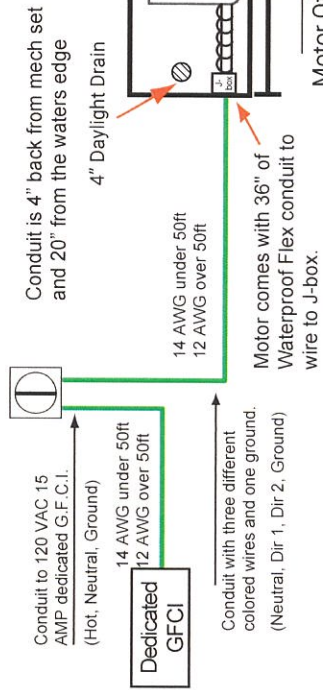


Electric Motor w/ Keyswitch (Standard Equipment)  
 3/4 hp Motor with Slip Clutch

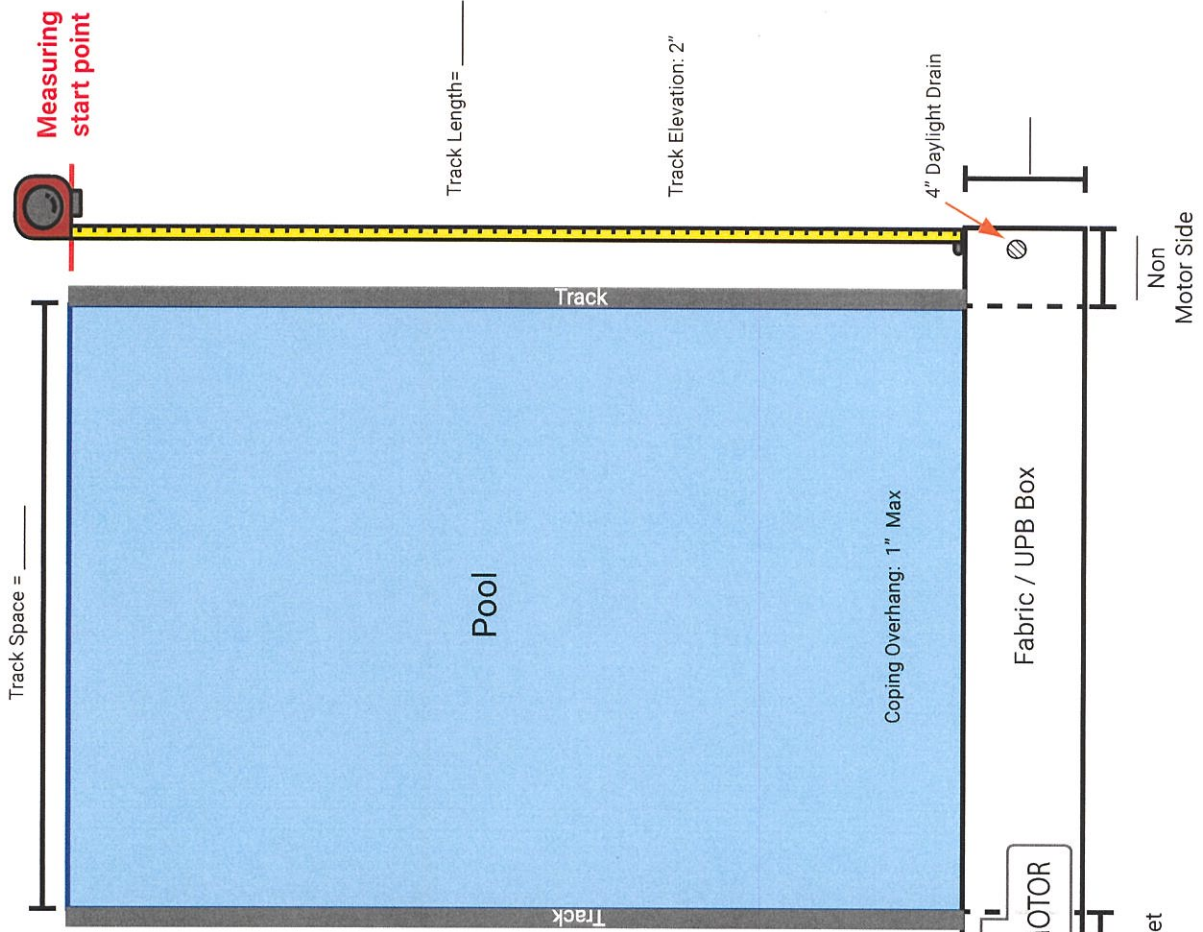
WARNING! These are minimum recommendations only.  
 All local and federal codes of standard safe practices must be followed.

electric 3/4 hp motor

### Key Switch 120V



All switches must be mounted in full view of the cover operation.



# Vinyl Liner System Layout

Motor Side: Right

Notes:

---



---



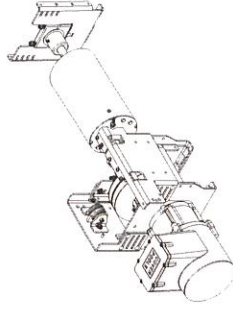
---



---



---

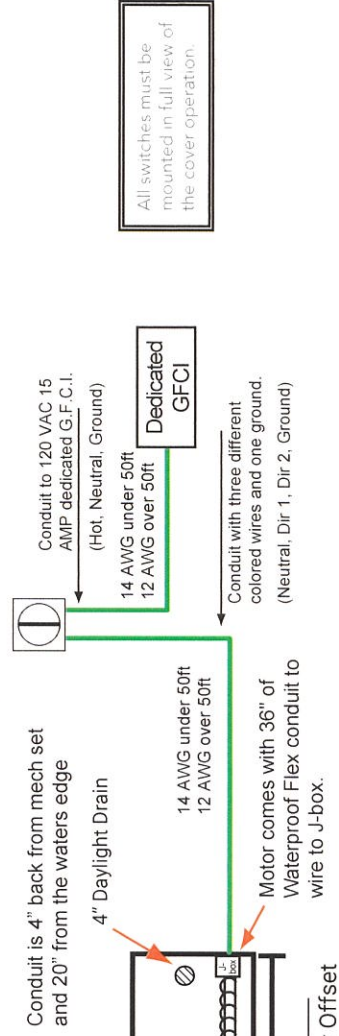


Electric Motor w/ Keyswitch (Standard Equipment)  
 3/4 hp Motor with Slip Clutch

electric 3/4 hp motor

WARNING! These are minimum recommendations only. All local and federal codes of standard safe practices must be followed.

## Key Switch 120V



All switches must be mounted in full view of the cover operation.

# Water Feature Layout

## Motor Side: Left

Notes:

---



---



---



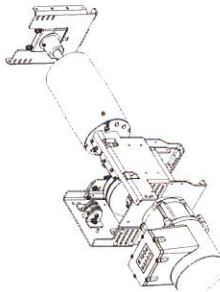
---



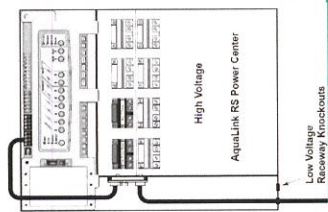
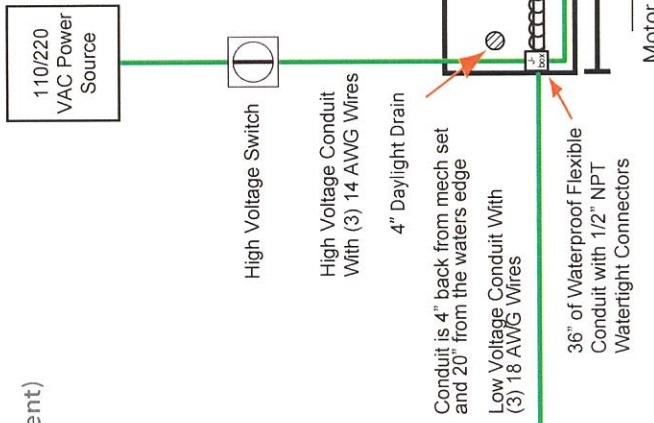
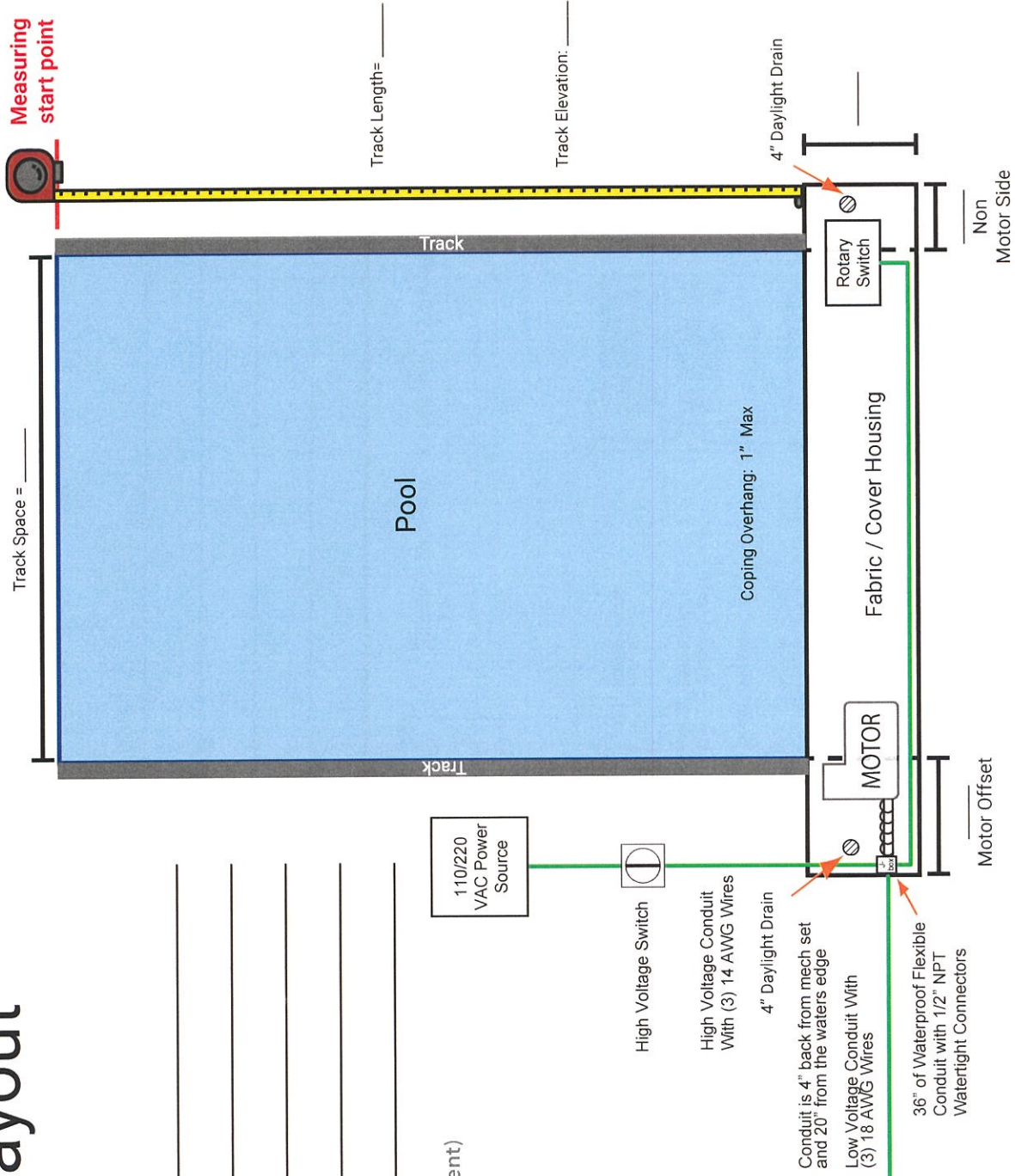
---

Electric Motor w/ Keyswitch (Standard Equipment)  
 ¼ hp Motor with Slip Clutch

WARNING! These are minimum recommendations only.  
 All local and federal codes of standard safe practices must be followed.



electric 3/4 hp motor



All switches must be mounted in full view of the cover operation.